

# Data Sheet

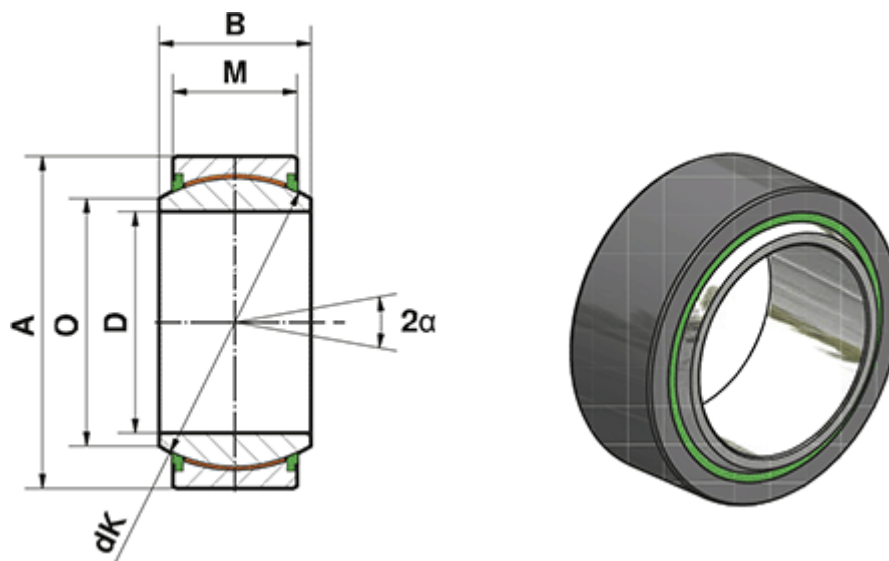


Article number: 03445017

Description: Fluro Heavy Duty Spherical Plain Bearing GE 17 EW-2RS  
Hole Ø17

Note: 17

## Measures



A	= 30	Static load C0 (kN) = 81.2
a (degrees)	= 10	Weight (g) = 37
B	= 14	
D	= 17	
dk	= 25	
Dynamic load C (kN)	= 48.7	
M	= 10	
O	= 20.7	